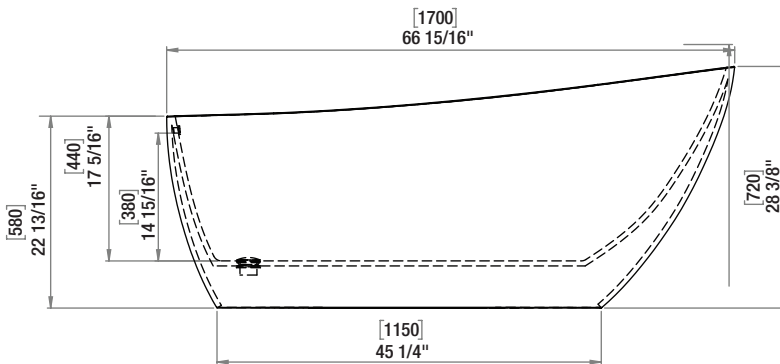
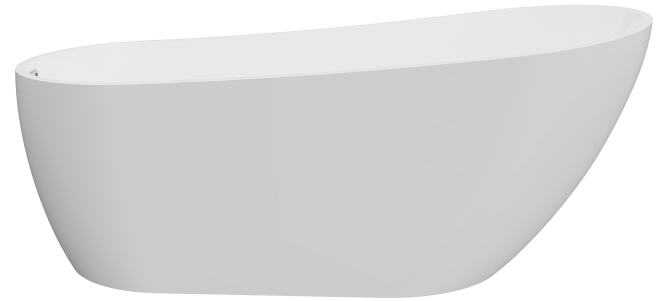
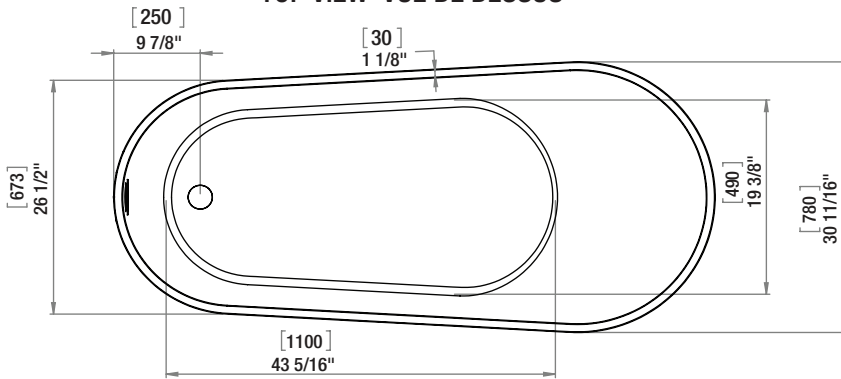




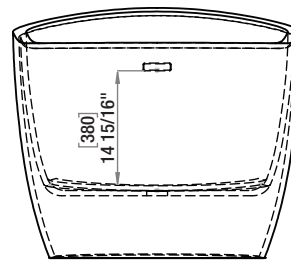
**A&E Bath and Shower**  
 6400A St. Jacques West  
 Montrea, QC, Canada  
 H4B 1T6  
 www.aebath.com

Model Modèle: BT-1037-67-NF  
 Freestanding bathtub  
 Baignoire autoportante

TOP VIEW VUE DE DESSUS



FRONT VIEW VUE DE FACE



SIDE VIEW VUE DE CÔTÉ

\* Dimensions may vary +/- 1/4" (6mm) / Les dimensions peuvent varier de +/- 1/4" (6mm)



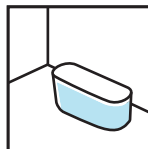
**Compliance Certifications:**

gallons to overflow /	55 gal.
packaging dimension /	68 x 32 x 30 in
approximated weight /	84 lbs
weight with water /	543 lbs
bathing well at sump /	43 x 19 in

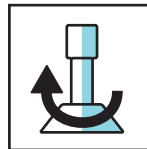
Uniform Plumbing Code  
 National Plumbing Code of Canada  
 CSA B45.5-17/IAPMO Z124-2017



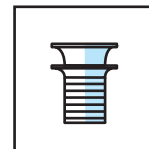
Pure acrylic construction reinforced by fiberglass  
*Construction en acrylique renforcée de fibre de verre*



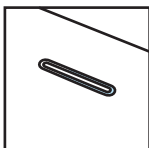
Freestanding installation  
*Installation autoportante*



Adjustable feet  
*Pattes ajustables*



Chrome drain included  
*Drain chrome inclus*



Integrated chrome linear overflow  
*Trop plein linéaire chrome intégré*



CUPC certified  
*Certifié CUPC*